

## BUFFER PLUS

Buffer tanks for sealed heating systems with multiple connections – **Not suitable for chilled water**

96 - 4,993 LITRES

### INSTALLATIONS

Traditional boilers (wall-hung and / or floor-standing)  
Condensing boilers  
Solar thermal systems

MAXIMUM WORKING TEMPERATURE 95°C

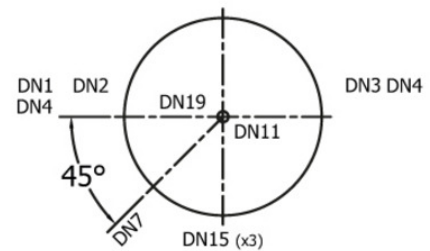
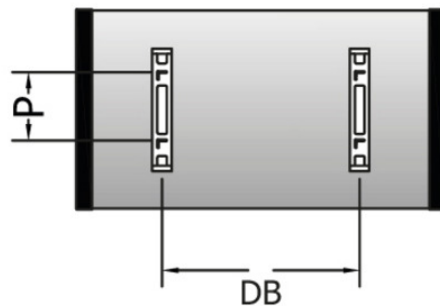
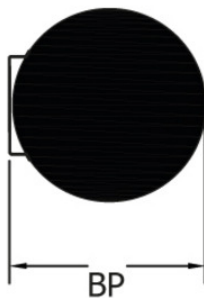
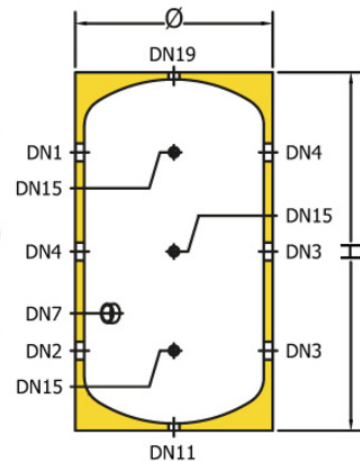
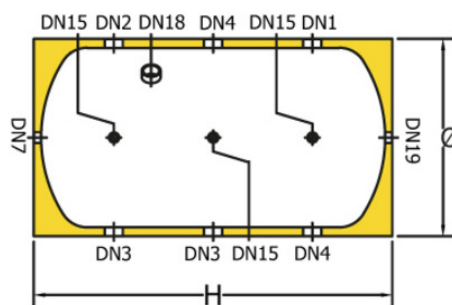
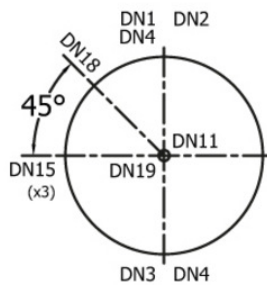
MAXIMUM WORKING PRESSURE

BUFFER PLUS (MODELS 100 - 300) 10 BAR

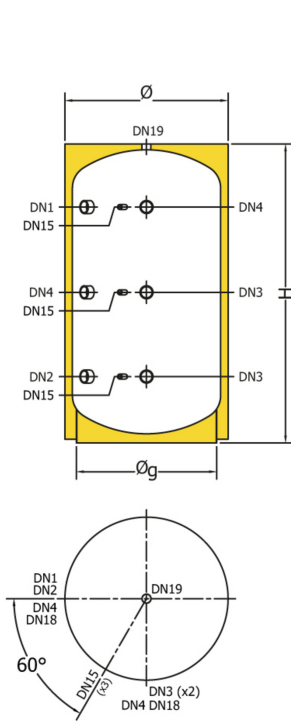
BUFFER PLUS (MODELS 500 - 1000) 8 BAR

BUFFER PLUS (MODELS 1500 - 5000) 4 BAR

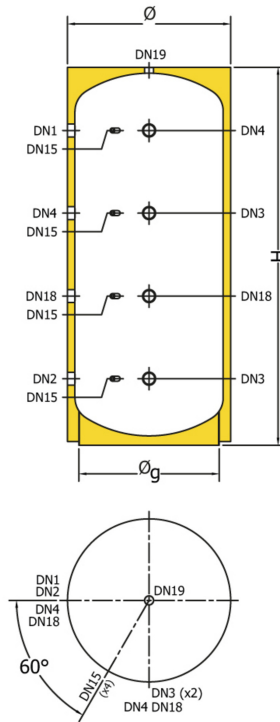
### BUFFER PLUS 100



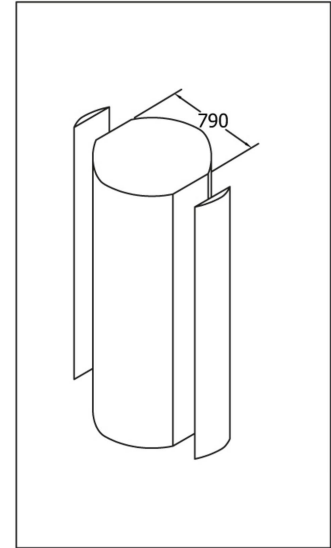
**BUFFER PLUS 200**



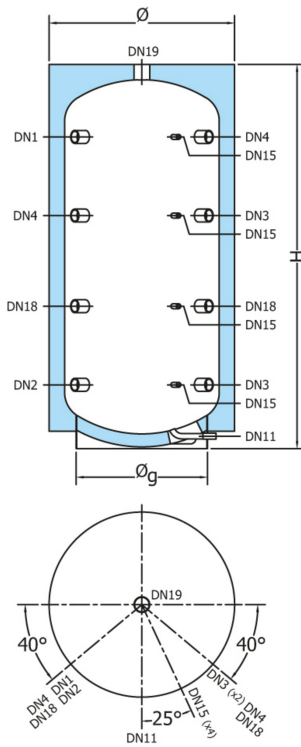
**BUFFER PLUS 300 - 1000**



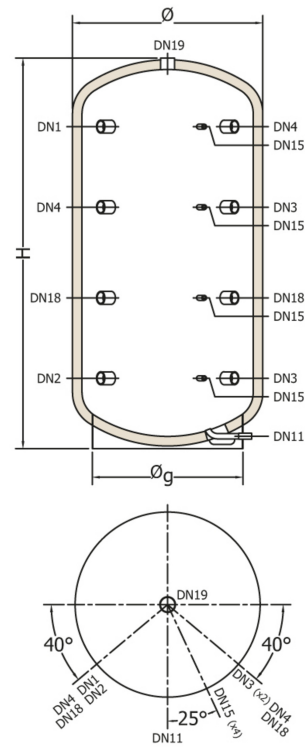
**REMOVABLE INSULATION 800 - 1000**



**BUFFER PLUS 1500 - 2000**



**BUFFER PLUS 3000 - 5000**



DN	
DN1	Flow from heat source
DN2	Return to heat source
DN3	From heating system
DN4	To heating system
DN7	Provision for immersion heater
DN11	Drain
DN15	Probe
DN18	Auxiliary connection
DN19	Auxiliary connection

Figure Number	Part Number	ERP Energy Rating	Standing Losses Watts	Tank Capacity Litres	BAR	Height (mm)	Skirt Ø (mm)	Total Ø	Pivot QR (mm)
BUFFER PLUS 100	A3H0L38 PGP55	B	36	96	10	960		510	1090
BUFFER PLUS 200	A3H0L47 PGP55	B	57	195	10	1200	460	610	1350
BUFFER PLUS 300	A3H0L51 PGP75	B	67	282	10	1670	460	650	1800
BUFFER PLUS 500	A3H0E55 PGP55	C	90	478	3	1735	600	760	1900
BUFFER PLUS 600	A3H0E57 PGP55	C	95	560	3	1930	600	760	2080
BUFFER PLUS 800	A3H0E60 PGP75	C	129	718	3	1815	760	940	2050
BUFFER PLUS 1000	A3H0E62 PGP75	C	134	840	3	2065	760	940	2270
BUFFER PLUS 1500	A3H0E67 GW4A5	C	163	1575	3	2440	850	1270	2760
BUFFER PLUS 2000	A3H0E70 GW4A5	C	174	1895	3	2470	950	1370	2830
BUFFER PLUS 3000	A3H0E74 GW050	-		2912	3	2770	1100	1350	3090
BUFFER PLUS 5000	A3H0E80 GW050	-		4985	3	2945	1450	1700	3410

Qr: pivot measurement

	DN1	DN2	DN3	DN3	DN4	DN4	DN11	DN15	DN15	DN15	DN15	DN15	DN18	DN19
BUFFER PLUS 100	740	220	220	480	480	740	-	220	-	740	480	-	-	
BUFFER PLUS 200	925	245	245	585	585	925	-	245	-	925	585	-	-	
BUFFER PLUS 300	1335	285	285	985	985	1335	-	285	635	1335	985	635	-	
BUFFER PLUS 500	1400	270	270	1025	1025	1400	-	270	645	1400	1025	645	-	
BUFFER PLUS 600	1650	270	270	1190	1190	1650	-	270	730	1650	1190	730	-	
BUFFER PLUS 800	1425	375	375	1075	1075	1425	-	375	725	1425	1075	725	-	
BUFFER PLUS 1000	1675	375	375	1245	1245	1675	-	375	705	1675	1245	705	-	
BUFFER PLUS 1500	1955	455	455	1455	1455	1955	80	455	955	1955	1455	955	-	
BUFFER PLUS 2000	1975	475	475	1475	1475	1975	80	475	975	1975	1475	975	-	
BUFFER PLUS 3000	2310	510	510	1710	1710	2310	80	510	1110	2310	1710	1110	-	
BUFFER PLUS 5000	2410	610	610	1810	1810	2410	80	610	1210	2410	1810	1210	-	

	DN7	DN11	DN18
BUFFER PLUS-100	300	-	-
BUFFER PLUS-100	-	-	300

Model	DN1	DN2	DN3	DN4	DN11	DN15	DN18	DN19
BUFFER PLUS 100	G1.1/2"	G1.1/2"	G1.1/2"	G1.1/2"	-	G1/2"	-	G1.1/4"
BUFFER PLUS 200	G1.1/2"	G1.1/2"	G1.1/2"	G1.1/2"	-	G1/2"	-	G1.1/4"
BUFFER PLUS 300	G1.1/2"	G1.1/2"	G1.1/2"	G1.1/2"	-	G1/2"	G1.1/2"	G1.1/4"
BUFFER PLUS 500	G1.1/2"	G1.1/2"	G1.1/2"	G1.1/2"	-	G1/2"	G1.1/2"	G1.1/4"
BUFFER PLUS 600	G1.1/2"	G1.1/2"	G1.1/2"	G1.1/2"	-	G1/2"	G1.1/2"	G1.1/4"
BUFFER PLUS 800	G1.1/2"	G1.1/2"	G1.1/2"	G1.1/2"	-	G1/2"	G1.1/2"	G1.1/2"
BUFFER PLUS 1000	G1.1/2"	G1.1/2"	G1.1/2"	G1.1/2"	-	G1/2"	G1.1/2"	G1.1/2"
BUFFER PLUS 1500	G1.1/2"	G1.1/2"	G1.1/2"	G1.1/2"	G1"	G1/2"	G1.1/2"	G3"
BUFFER PLUS 2000	G1.1/2"	G1.1/2"	G1.1/2"	G1.1/2"	G1"	G1/2"	G1.1/2"	G3"
BUFFER PLUS 3000	G2"	G2"	G2"	G2"	G1"	G1/2"	G2"	G3"
BUFFER PLUS 5000	G2"	G2"	G2"	G2"	G1"	G1/2"	G2"	G3"

MODEL	DN7	DN11	DN18
BUFFER PLUS-100	G1.1/2"	G1.1/4"	-

MODEL	DN7	DN18
BUFFER PLUS-100	G1.1/4"	G1.1/2"

BUFFER PLUS 100	Rigid expanded polyurethane with 95% closed cells, CFC and HCFC free, fire resistance class B2 according to DIN 4102-1	55	Grey polystyrene RAL 9006
BUFFER PLUS 200	Rigid expanded polyurethane with 95% closed cells, CFC and HCFC free, fire resistance class B2 according to DIN 4102-1	55	Grey polystyrene RAL 9006
BUFFER PLUS 300	Rigid expanded polyurethane with 95% closed cells, CFC and HCFC free, fire resistance class B2 according to DIN 4102-1	75	Grey polystyrene RAL 9006
BUFFER PLUS 500	Rigid expanded polyurethane with 95% closed cells, CFC and HCFC free, fire resistance class B2 according to DIN 4102-1	55	Grey polystyrene RAL 9006
BUFFER PLUS 600	Rigid expanded polyurethane with 95% closed cells, CFC and HCFC free, fire resistance class B2 according to DIN 4102-1	55	Grey polystyrene RAL 9006
BUFFER PLUS 800	Rigid expanded polyurethane with 95% closed cells, CFC and HCFC free, fire resistance class B2 according to DIN 4102-1	75	Grey PVC RAL 9006
BUFFER PLUS 1000	Rigid expanded polyurethane with 95% closed cells, CFC and HCFC free, fire resistance class B2 according to DIN 4102-1	75	Grey PVC RAL 9006
BUFFER PLUS 1500	100% recyclable polyester fiber	135	Grey PVC RAL 9006
BUFFER PLUS 2000	100% recyclable polyester fiber	135	Grey PVC RAL 9006
BUFFER PLUS 3000	Open cells expanded polyurethane	50	White PVC RAL 9001
BUFFER PLUS 5000	Open cells expanded polyurethane	50	White PVC RAL 9001

#### Reference standards

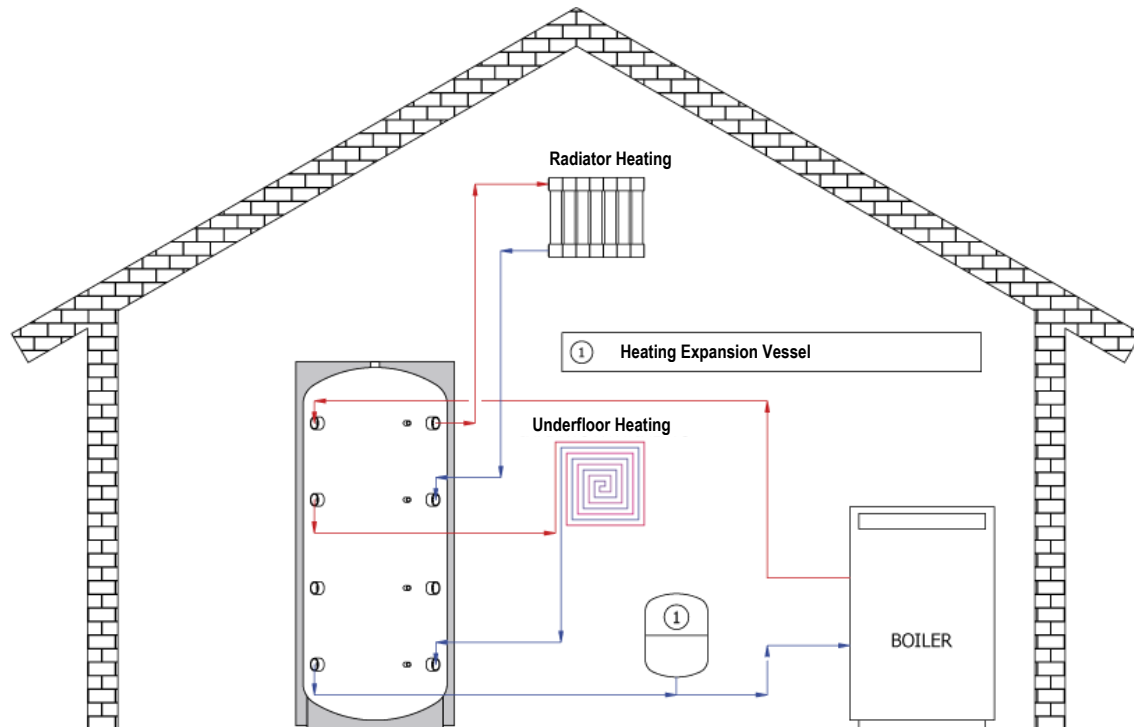
CYLINDER:

Cylinder: 2014/68/UE Directive – ART. 4.3, without CE marking

## 2 YEAR WARRANTY

APPLICABLE TO THE FOLLOWING SIZED UNITS

Code	Power	Supply voltage	Connection	Length	APPLICABLE TO THE FOLLOWING SIZED UNITS										
					100	200	300	500	600	800	1000	1500	2000	3000	5000
<b>IMMERSION HEATERS WITHOUT THERMOSTAT</b>															
8601000	1	220	G1.1/4"	295	✓	✓	✓	✓	✓	✓	✓	✓	✓	✓	✓
8601650	1.65	220	G1.1/4"	450	✗	✓	✓	✓	✓	✓	✓	✓	✓	✓	✓
8602000	2	220	G1.1/4"	515	✗	✗	✓	✓	✓	✓	✓	✓	✓	✓	✓
8602600	2.6	220	G1.1/4"	675	✗	✗	✗	✗	✗	✓	✓	✓	✓	✓	✓
8602601	2.6	220	G1.1/4"	360	✓	✓	✓	✓	✓	✓	✓	✓	✓	✓	✓
8603300	3.3	220	G1.1/4"	825	✗	✗	✗	✗	✗	✗	✗	✓	✓	✓	✓
8603301	3.3	220	G1.1/4"	435	✗	✓	✓	✓	✓	✓	✓	✓	✓	✓	✓
8604001	4	220	G1.1/4"	510	✗	✗	✓	✓	✓	✓	✓	✓	✓	✓	✓
8705000	5	380	G1.1/2"	445	✗	✓	✓	✓	✓	✓	✓	✓	✓	✓	✓
8706000	6	380	G1.1/2"	510	✗	✗	✓	✓	✓	✓	✓	✓	✓	✓	✓
8708000	8	380	G1.1/2"	670	✗	✗	✗	✗	✗	✓	✓	✓	✓	✓	✓
8710000	10	380	G1.1/2"	820	✗	✗	✗	✗	✗	✗	✗	✓	✓	✓	✓
8712000	12	380	G1.1/2"	970	✗	✗	✗	✗	✗	✗	✗	✓	✓	✓	✓
<b>IMMERSION HEATERS WITH THERMOSTAT</b>															
8T01500	1.5	230	G1.1/2"	320	✓	✓	✓	✓	✓	✓	✓	✓	✓	✓	✓
8T02000	2	230	G1.1/2"	320	✓	✓	✓	✓	✓	✓	✓	✓	✓	✓	✓
8T02200	2.2	230	G1.1/2"	320	✓	✓	✓	✓	✓	✓	✓	✓	✓	✓	✓
8T02500	2.5	230	G1.1/2"	320	✓	✓	✓	✓	✓	✓	✓	✓	✓	✓	✓
8T03000	3	230	G1.1/2"	320	✓	✓	✓	✓	✓	✓	✓	✓	✓	✓	✓
8T04000	4	400	G1.1/2"	400	✗	✓	✓	✓	✓	✓	✓	✓	✓	✓	✓
8T05000	5	400	G1.1/2"	500	✗	✗	✓	✓	✓	✓	✓	✓	✓	✓	✓
8T06000	6	400	G1.1/2"	600	✗	✗	✗	✓	✓	✓	✓	✓	✓	✓	✓
8T09000	9	400	G1.1/2"	700	✗	✗	✗	✗	✗	✓	✓	✓	✓	✓	✓
8T12000	12	400	G1.1/2"	850	✗	✗	✗	✗	✗	✗	✗	✓	✓	✓	✓



Illustrative diagram; always refer to a qualified technician for the realization of the systems.

Ver. date 14/06/2023



**FLEXIHEAT UK LTD**  
[www.flexiheatuk.com](http://www.flexiheatuk.com)  
 01202 822221